

GMC5-DT

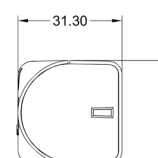
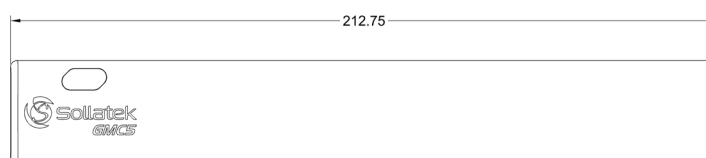
USER MANUAL (INSTALLATION & OPERATION)









The GMC5-DT is a ready to go smart tracking device ideal for coolers or freezers. It uses Wi-Fi for precise geo-location and GSM for transmitting its location to the online portal. It has an embedded temperature sensor to provide accurate temperature measurements to the online portal and a built-in accelerometer, allowing for real-time monitoring of door openings (only available for vertical coolers).

There are three operational modes (stationary, movement and post-movement) to maximise battery. Transmission intervals can be fully customised Over The Air via the online portal.

The GMC5-DT is fully sealed and rated IP65, so can be mounted in the harshest of environments. The GMC5-DT can be mounted via industrial adhesive pads or the screw mounting base (sold separately).



LED OPERATIONAL DESCRIPTION

Icon	Description	Meaning
	ON for 2 s, then OFF	Tracker turning ON
	Flashing twice (250ms ON/250ms OFF)	Tracker turning OFF
	OFF, OFF	Cellular Communication Powered Down
	ON, Flashing (64ms ON/800ms OFF)	Searching for Network
	ON, Flashing (64ms ON/200ms OFF)	Registered with Network
	ON, Flashing (64ms ON/600ms OFF)	Data Transfer in Progress

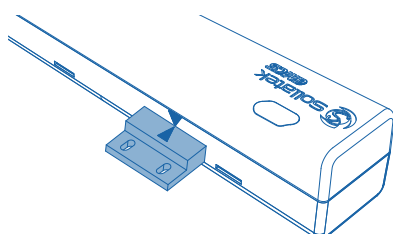
OPERATION SETTINGS

Parameter	Default Setting	Description
Movement duration to state a movement	30 Seconds	The period of constant movement to trigger movement mode
Post stopping duration to transmit	1 Hour	The period the GMC5-DT must remain stationary after sensing movement before transmitting (post-movement mode)
Transmission settings	Transmission on movement and post stopping	The GMC5-DT will send data once a movement has been sensed and again once movement has stopped
Server ping interval	7 Days	The duration between transmissions when the GMC5-DT is in stationary mode
Daily allowed movement	5 Minutes	The total duration throughout the day which the GMC5-DT can be moved without triggering a movement event. All movement after this, which is greater than movement duration will trigger a movement event
Temperature threshold alarm	-14°C	The maximum allowed temperature before the GMC5-DT reports an alarm. When the temperature falls below the threshold, the GMC5-DT will cancel the alarm
Temperature measurement interval	1 Hour	The duration between the GMC5-DT recording temperature measurements

TURNING THE TRACKER ON



Supplied Magnet



- 1 Align the arrow on the magnet to the activation area of the GMC5-DT marked by an arrow on the device.
- 2 The Green LED will light for 2 seconds, then turn OFF.
- 3 The GMC5-DT will then be turned ON.

Note: to test transmission and force the GMC5-DT to send data to the portal, place the magnet close to the activation point 3 times.

MOUNTING THE GMC5



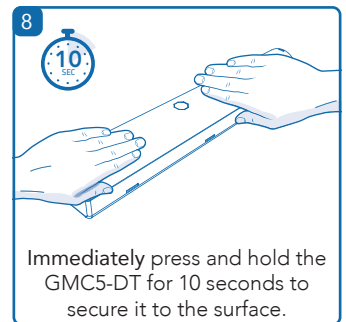
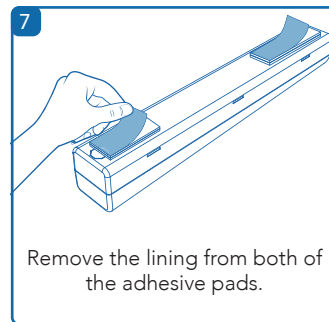
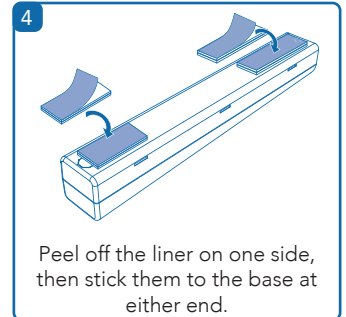
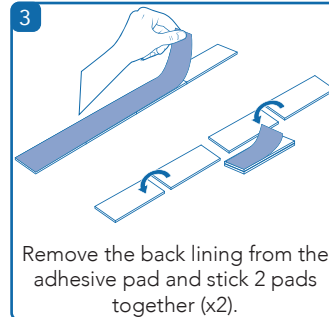
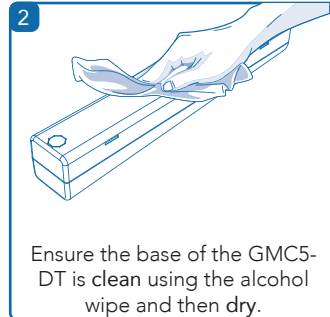
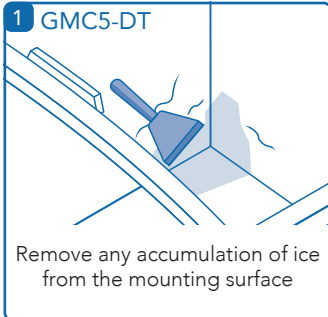
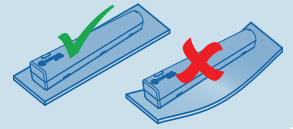
For best signal, avoid mounting the GMC5-DT near/behind metal surfaces and mount with the square end pointing towards/close to the outside of the cabinet.

Isolate power if installing the GMC5-DT in areas where live electrical equipment are housed.
Avoid hot/moving parts when positioning.



IMPORTANT: When choosing a mounting location, check the surface flatness first using the GMC5-DT. If the surface has an extreme curvature where the entire GMC5-DT base can not stick to the surface, consider an alternative surface.

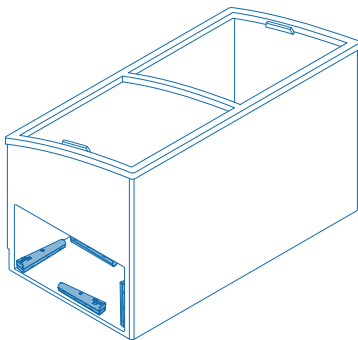
Note: While preparing the surfaces, ensure the adhesive pad is kept at ambient temperature, hot or cold temperatures could result in the adhesive losing adhesion.



GMC5-DT PLACEMENT

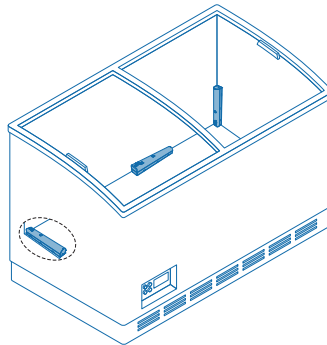
Horizontal Freezers (1)

Mount within the compressor compartment as close to the grill as possible



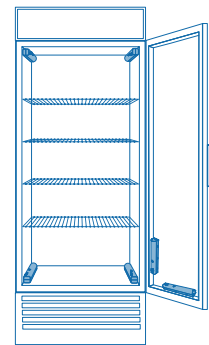
Horizontal Freezers (2)

Mount on the floor or on the compressor step along any wall depending on basket positioning.



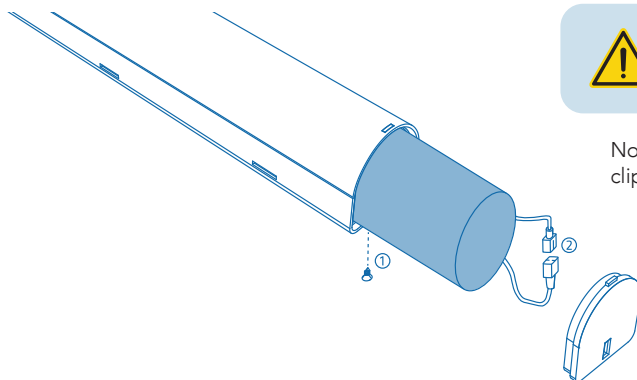
Vertical Freezers

Mount along the side walls on either the bottom, top of the cabinet or interior door edge



Note: Illustrations are for guidance only, mounting orientation and placement dependent on available space within the cooler/freezer. For door opening detection (available in vertical coolers/freezers only), GMC5-DT must be installed on the door.

Battery Replacement



Batteries must be replaced with batteries of the same type.
The device cannot be disposed of as municipal waste therefore such waste should be collected and disposed of separately in accordance to EU directive 202/96/EC.



Note: the GMC5-DT needs to be removed (unstuck from the panel/ unclipped from the mount) before battery replacement

- 1** Remove the retaining screws from the base of the GMC5-DT and remove the end cap.
- 2** Disconnect the battery pack connector and remove the old battery.
- 3** Insert and connect the new battery pack, replace the end cap and secure in place with the retaining screw.